

Part number

# CZAO 15 L16



## Brief description:

hoods for single lever, size "49.16", side entry, Pg16, metal version, IP66

### Product description

Version	CZ levers, standard version
Series	Hoods with 2 pegs
Product type	with 2 pegs
Variant	side entry
Style	high construction
Family	CZ - MZ enclosures
Size	size "49.16"

### Technical data

Operating temperature range (min, max)	-40°C ... +125°C
Material	metal
IP degree of protection	IP66 (and IP69K DIN 40050 - 9)
Cable entry	Pg16

### Further technical details

Weight	140,00 g
--------	----------

### Approvals / Standards

Quality mark	 (type:4/4X/12),  , EAC
Conformity	CQC, CE

### General ordering information

EAN13 code	8015747043052
Tariff number	85369095

### Packaging Information

Packaging length	150,00 mm
Packaging height	125,00 mm
Packaging width	225,00 mm
Packaging weight	1,55 kg
Packaging volume	4,22 dm <sup>3</sup>
Packaging description	Carton box
Packaging quantity	10 Pcs
Packaging EAN code	8015747207492
Sub-packaging weight	0,78 kg
Sub-packaging description	Plastic packaging
Sub-packaging quantity	5 Pcs
Sub-packaging EAN barcode	8015747207508

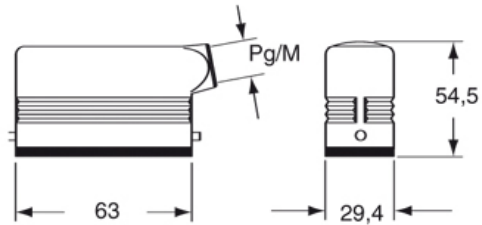
Part number

# CZAO 15 L16

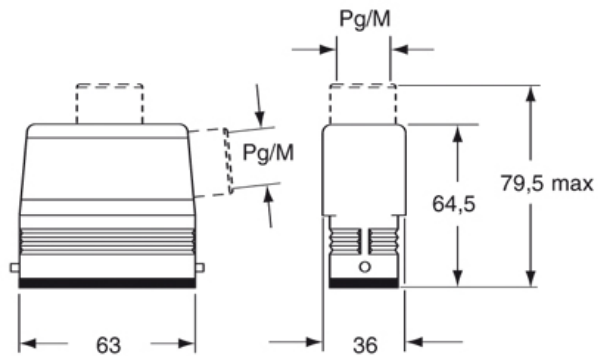


Catalogue drawings

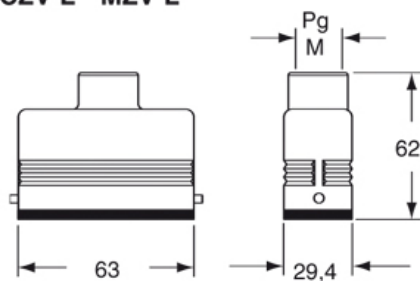
## CZO L - MZO L



## CZAO L - MZAO L / CZAV L - MZAV L



## CZV L - MZV L



## CZFO L - MZFO L / CZFV L - MZFV L

